

STAINLESS STEEL SINK

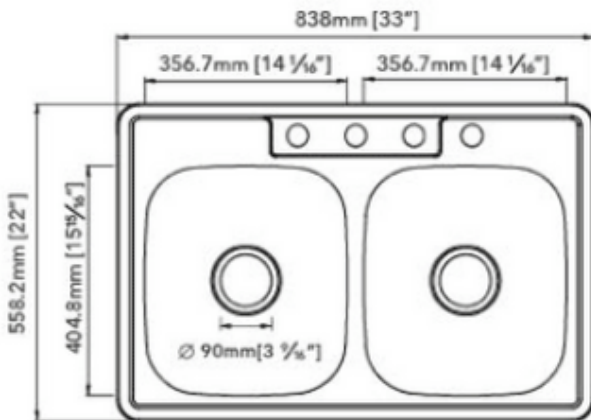
SPECIAL ORDER

MODEL: SS-116-20-3322A0



DEPTH	GAUGE	HOLES
6"	24/22	3/4
7"	23/22/20	3/4
8"	22/20	3/4
10"	20	3/4

- Top-mount Double Bowl Sink 50/50
- Dimensions: 33"x22"
- Material: SS304
- Finish: Brushed



Undercoated and Sound Pads

3-1/2" Drain Opening

Supplied with Fasteners



cUPC Certified

